

# Franklin Electric Europa GmbH

## 8" Rewindable Motors

### Product Information and Service



**Franklin Electric**

# QUALITY IN THE WELL

POWERED BY



Franklin Electric



QUALITY



AVAILABILITY



SERVICE



INNOVATION





## Table of contents

### 8" Rewindable Motors

Standard .....	4 - 14
----------------	--------

### Accessories

Motor Filling Liquid .....	15
Motor Filling Kit .....	15
Motor Coupling 8" .....	16 - 17
PT100 6" / 8" / 10" / 12" Rewindable Motors .....	18





# 8" Rewindable Motors

## 8" Rewindable Motors



### Submersible Motors Quality in the Well

These 8" rewindable motors, manufactured in ISO 9001 certified facilities, are built for dependable operation in 8" diameter or larger water wells. It is fitted with water lubricated radial and thrust bearings for maintenance-free operation. The motor is filled with a special FES93 fluid, providing frost protection down to -15°C storage temperature.

A special diaphragm ensures pressure compensation inside the motor. The Sand fighter® SiC seal system is standard. For applications in aggressive media, motors made of 316SS and 904L are available.

### Product advantages:

- Easy to assemble with double flange
- Cable material according to drinking water regulations (VDE / ACS / KTW approved)
- Sand fighter® SiC seal system for high performance in sand
- High efficiency electrical design for low operation cost
- All motors prefilled and 100% tested
- Max. storage temperature -15°C - + 60°C
- Design for retrofitable PT100 sensor
- Non contaminating FES 93 filled design

### Technical Specifications

#### Standard Motor:

- 30,0 - 93,0kW
- 8" NEMA flange
- Protection: IP 68
- Starts per hour: max. 10
- Installation position: vertical / horizontal (**93 kW** motors may not be installed horizontally)
- Motor Lead in 6 m length (KTW approved)
- Standard Voltage: 380-415V/50Hz, 460V/60Hz
- Voltage tolerance 50Hz: -10% / +6%  $U_N$  [380-415V = (380-10%) – (415+6%)]
- Voltage tolerance 60Hz:  $\pm 10\% U_N$
- Motor protection: Select thermal overloads according to EN 61947-4-1
- Standard motor with PVC winding insulation
- for max. ambient temp. of 30°C with a min. cooling flow:

30 kW - 52 kW  $v = 0,2$  m/s

55 kW - 93 kW  $v = 0,5$  m/s

### Options

- Other voltages
- Motors in complete 316 SS and 904 L
- YΔ - start (pos. of cables 90°)
- PE2/PA winding insulation for max. ambient temp. of 50°C at the same cooling conditions as standard
- PT 100 temperature sensor (sold separately)
- Lead in different lengths up to 50m

# 8" Rewindable Motors



## 8" Rewindable Motors - Model Numbers 50Hz / 60Hz \*

P <sub>N</sub> [kW]	U <sub>N</sub> / f	Model Number Digit 1 – 6		Model Number Digit 7 – 10					
	[V] / [Hz]	DOL	YΔ	304	316 SS	904L	PE2/PA		
							304	316 SS	904L
30	380 - 415 / 50	263 610	263 710	5111	6111	7111	5311	6311	7311
	460 / 60								
37	380 / 60	263 660	263 780						
	380 - 415 / 50	263 611	263 711	5111	6111	7111	5311	6311	7311
45	460 / 60	263 661	263 781						
	380 / 60	263 612	263 712	5111	6111	7111	5311	6311	7311
52	380 - 415 / 50	263 612	263 712	5111	6111	7111	5311	6311	7311
	460 / 60	263 662	263 782						
55	380 / 60	263 260	263 270	5111	6111	7111	5311	6311	7311
	380 - 415 / 50	263 310	263 360						
60	460 / 60	263 613	263 713	5111	6111	7111	5311	6311	7311
	380 / 60	263 663	263 783						
67	380 - 415 / 50	263 261	263 271	5111	6111	7111	5311	6311	7311
	460 / 60	263 311	263 361						
75	380 / 60	263 262	263 272	5111	6111	7111	5311	6311	7311
	380 - 415 / 50	263 312	263 362						
83	460 / 60	263 614	263 714	5111	6111	7111	5311	6311	7311
	380 / 60	263 664	263 784						
93	380 - 415 / 50	263 263	263 273	5111	6111	7111	5311	6311	7311
	460 / 60	263 313	263 363						
93	380 / 60	263 615	263 715	5111	6111	7111	5311	6311	7311
	380 - 415 / 50	263 665	263 785						

P <sub>N</sub> [kW]	U <sub>N</sub> / f	Model Number Digit 1 – 6		Model Number Digit 7 – 10					
	[V] / [Hz]	DOL	YΔ	304	316 SS	904L	PE2/PA		
							304	316 SS	904L
30	500/ 50	263 620	263 790	5111	6111	7111	5311	6311	7311
37	500/ 50	263 621	263 791	5111	6111	7111	5311	6311	7311
45	500/ 50	263 622	263 792	5111	6111	7111	5311	6311	7311
52	500/ 50	263 240	263 340	5111	6111	7111	5311	6311	7311
55	500/ 50	263 623	263 793	5111	6111	7111	5311	6311	7311
60	500/ 50	263 241	263 341	5111	6111	7111	5311	6311	7311
67	500/ 50	263 242	263 342	5111	6111	7111	5311	6311	7311
75	500/ 50	263 624	263 794	5111	6111	7111	5311	6311	7311
83	500/ 50	263 243	263 343	5111	6111	7111	5311	6311	7311
93	500/ 50	263 625	263 795	5111	6111	7111	5311	6311	7311

\* For VFD Operation is PE2/PA mandatory!



# 8" Rewindable Motors

## 8" Rewindable Motors - Performance Data 50Hz

P <sub>N</sub> [kW]	Thrust F[N]	U <sub>N</sub> [V]	n <sub>N</sub> [min <sup>-1</sup> ]	I <sub>N</sub> [A]	I <sub>A</sub> [A]	η (Eff.) [%] at % load			cosφ (PF) at % load			T <sub>N</sub> [Nm]	T <sub>A</sub> [Nm]
						50	75	100	50	75	100		
30	45 000	380	2880	63	300	83,5	84,4	83,1	0,89	0,88	0,89	99	126
		400	2900	60	318	83,6	85	84,3	0,80	0,86	0,89	99	141
		415	2910	58	332	83,5	85,2	84,9	0,77	0,89	0,88	98	151
		500	2880	48	228	84	84	83	0,84	0,88	0,89		
37	45 000	380	2890	79	378	84,6	85,3	83,9	0,80	0,86	0,88	122	156
		400	2900	76	400	83,9	85,2	84,6	0,74	0,82	0,86	122	176
		415	2910	75	412	82,6	84,5	84,3	0,7	0,80	0,84	121	190
		500	2890	60	287	85	85	84	0,80	0,86	0,88		
45	45 000	380	2900	93	491	85,8	86,4	85,2	0,79	0,86	0,88	149	218
		400	2910	90	520	85,3	86,5	85,9	0,74	0,82	0,86	148	241
		415	2910	89	541	84,5	86,2	85,8	0,69	0,79	0,84	148	263
		500	2905	73	393	85	87	86	0,74	0,82	0,86		
		1000	2910	35	208	85	88	87	0,81	0,87	0,89		
52	45 000	380	2900	107	575	86,5	86,7	85,3	0,81	0,87	0,89	175	284
		400	2910	103	608	86,4	87,1	86,2	0,76	0,84	0,87	175	318
		415	2920	101	633	85,6	87	86,7	0,71	0,80	0,85	174	345
		500	2915	84	437	87	87	85	0,81	0,87	0,85	170	338
55	45 000	380	2900	114	624	86,5	86,9	85,7	0,78	0,85	0,88	182	301
		400	2915	110	660	85,9	87	86,4	0,72	0,82	0,86	181	340
		415	2920	109	688	84,8	86,4	86,2	0,67	0,78	0,83	181	366
		500	2910	88	474	86	87	86	0,78	0,85	0,86		
		1000	2910	45	250	76	87	86	0,76	0,83	0,87	181	301
60	45 000	380	2900	122	698	87,2	87,6	86,5	0,81	0,87	0,89	198	319
		400	2910	116	725	86,8	87,7	87,0	0,77	0,84	0,88	197	357
		415	2920	115	768	86,1	87,4	87,1	0,73	0,82	0,86	197	387
		500	2910	93	530	86	87	86	0,78	0,85	0,88		
		1000	2920	46	300	87	88	87	0,77	0,84	0,88		
67	45 000	380	2900	137	759	87,2	87,6	86,4	0,79	0,86	0,89	220	352
		400	2910	133	797	86,5	87,5	86,9	0,74	0,82	0,86	220	395
		415	2920	131	828	85,6	87	86,6	0,69	0,79	0,84	219	427
		500	2900	104	576	87	88	86	0,79	0,86	0,89	220	392
		1000	2910	52	330	87	88	87	0,74	0,82	0,86		
75	45 000	380	2900	154	892	86,7	87,1	85,9	0,79	0,86	0,89	247	419
		400	2910	148	942	86,2	87,3	86,7	0,74	0,83	0,87	246	472
		415	2920	147	982	85,4	86,9	86,6	0,69	0,79	0,84	245	510
		500	2910	118	678	87	87	86	0,79	0,86	0,86	246	472
		1000	2910	60	377	74	83	87	0,86	0,87	0,87	246	472
83	45 000	380	2910	166	1019	87,8	88,3	87,2	0,81	0,87	0,90	275	483
		400	2920	160	1077	87,5	88,4	87,6	0,77	0,84	0,88	273	544
		415	2925	156	1120	87,2	88,4	88,0	0,73	0,82	0,86	273	586
		500	2915	128	775	88	88	87	0,81	0,87	0,88		
93	45 000	380	2910	188	1186	87,8	88,4	87,5	0,77	0,85	0,88	306	557
		400	2920	183	1276	87,2	88,3	87,8	0,71	0,81	0,86	305	626
		415	2930	184	1308	86,2	87,8	87,7	0,65	0,76	0,83	305	676
		500	2910	144	902	88	88	87	0,77	0,85	0,87		
		1000	2920	73,7	508	87	88	88	0,72	0,80	0,85	304	622

# 8" Rewindable Motors




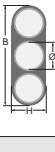

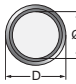
## 8" Rewindable Motors - Performance Data 60Hz

P <sub>N</sub> [Kw]	P <sub>max</sub> [Kw]	Thrust F [N]	U <sub>N</sub> [V]	n <sub>max</sub> [ min <sup>-1</sup> ]	I <sub>max</sub> [A]	I <sub>A</sub> [A]	η <sub>max</sub> (Eff.) [%] at % load			cos φ <sub>max</sub> (Pf.) at % load			T <sub>max</sub> [Nm]	T <sub>A</sub> [Nm]
							50	75	100	50	75	100		
30	34,5	45 000	380	3500	74	394	82,4	84,6	84,5	0,80	0,86	0,88	99	141
			460	3490	61	324	81,5	83,6	83,5	0,82	0,87	0,89	99	130
37	42,6	45 000	380	3510	92	514	83,0	85,2	85,4	0,72	0,81	0,85	122	178
			460	3490	75	407	83,8	85,3	84,8	0,77	0,84	0,87	123	162
45	51,8	45 000	380	3500	108	660	83,6	85,7	85,8	0,73	0,81	0,86	149	240
			460	3500	89	524	85,0	86,6	86,3	0,77	0,84	0,87	149	221
52	59,5	45 000	380	3510	125	765	85,4	87,0	86,9	0,75	0,83	0,87	175	300
			460	3505	102	606	85,0	86,6	86,2	0,79	0,86	0,88	175	276
55	63	45 000	380	3510	132	842	84,4	86,5	86,5	0,71	0,80	0,87	182	321
			460	3510	109	657	85,8	87,1	86,7	0,77	0,84	0,87	181	287
60	69	45 000	380	3510	141	931	86,2	87,7	87,7	0,77	0,84	0,87	198	362
			460	3510	116	734	85,4	86,9	86,7	0,80	0,86	0,88	198	332
67	77	45 000	380	3520	142	1037	84,4	86,4	86,7	0,73	0,82	0,84	220	396
			460	3510	131	803	85,7	87,2	86,9	0,77	0,85	0,87	220	366
75	86	45 000	380	3510	175	1143	86,3	87,8	87,4	0,77	0,85	0,88	247	427
			460	3510	145	947	86,3	87,8	87,4	0,77	0,85	0,88	247	427
83	95	45 000	380	3510	191	1377	86,0	88,0	88,0	0,75	0,83	0,89	274	532
			460	3510	158	1090	86,5	87,9	87,7	0,80	0,86	0,89	275	489
93	107	45 000	380	3510	218	1586	88,0	88,6	88,4	0,77	0,83	0,87	306	613
			460	3510	180	1256	86,7	88,3	88,3	0,76	0,83	0,87	306	561


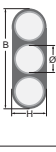
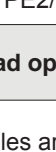


# 8" Rewindable Motors

## 8" Rewindable Motors - Motor Leads\*

DOL									
Lead	kW	Ø (mm²)	B / H (mm)		Lengths (m)	Qty.	Lead Mod.- Nr.	Lead seal Kit 304/316 Mod.- Nr.	Lead seal Kit 904L Mod.- Nr.
	30 – 45	4G10	B	30,0	6	1	308 710 107	308 660 612	308 660 619
			H	10,5					
	52 – 93	4G16	B	38,0	6	1	308 710 108	308 660 618	308 660 620
			H	12,8					
	93 (PE2/PA)	3X25	B	37,5	6	1	308 710 109	308 660 613	308 660 621
		H	16,0						
Ground lead (optional)	kW	Ø (mm²)	D (mm)		Lengths (m)	Qty.	Mod.-Nr.		
	all ratings	1G25	13,0		8	1	308 053 080		

For PE2/PA engines additionally the special Tape 700 541 688 is absolutely necessary

YΔ									
Lead	kW	Ø (mm²)	B / H (mm)		Lengths (m)	Qty.	Lead Mod.- Nr.	Lead seal Kit 304/316 Mod.- Nr.	Lead seal Kit 904L Mod.- Nr.
	30 – 60	3X6	B	19,5	6	1	308 710 110	308 660 614	308 660 622
			H	9,5					
		4G6	B	25,0		1			
			H	9,0					
	65 – 83	3X10	B	24,5	6	1	308 710 111	308 660 615	308 660 623
			H	11,5					
		4G10	B	30,0		1			
			H	10,5					
	93	3X16	B	30,3	6	1	308 710 112	308 660 616	308 660 624
			H	13,2					
		4G16	B	38,0		1			
			H	12,8					

For PE2/PA engines additionally the special Tape 700 541 688 is absolutely necessary

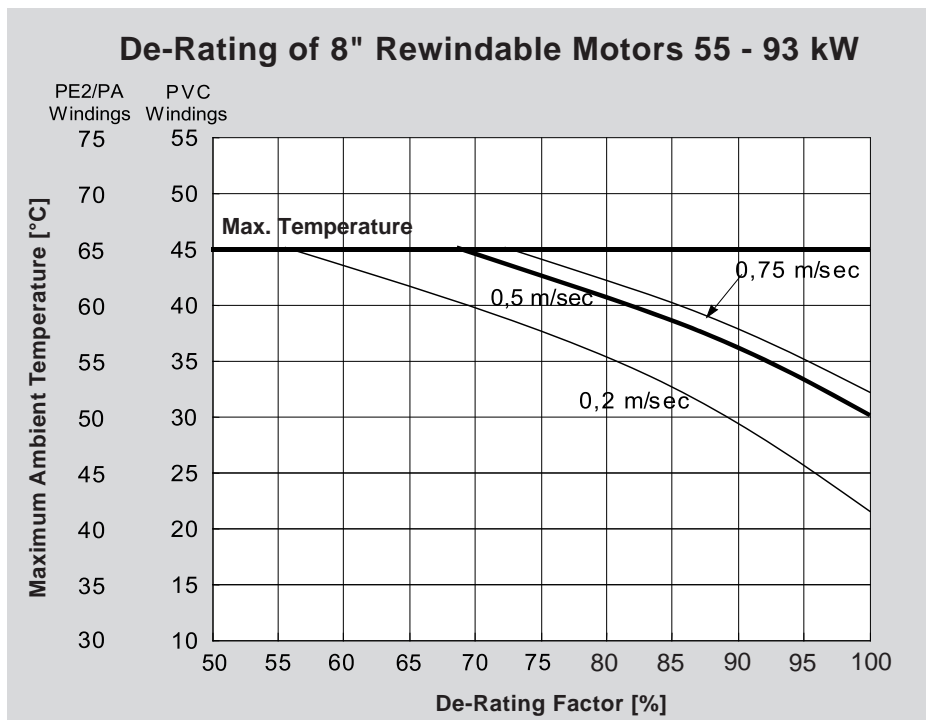
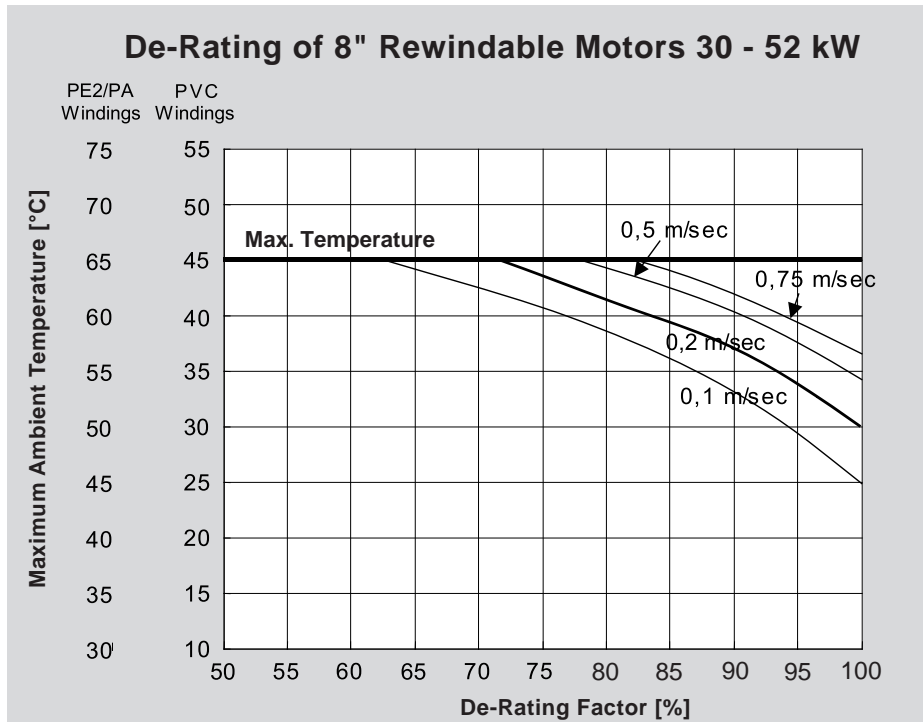
Lead opening seal kit	30 – 93 kW DOL / YΔ	Mod.- Nr.:	304/316	308 660 617
			904L	308 660 625

\*Cables are designed for submerged operation. For air operation please consult Franklin Electric..





## 8" Rewindable De-Rating Curves

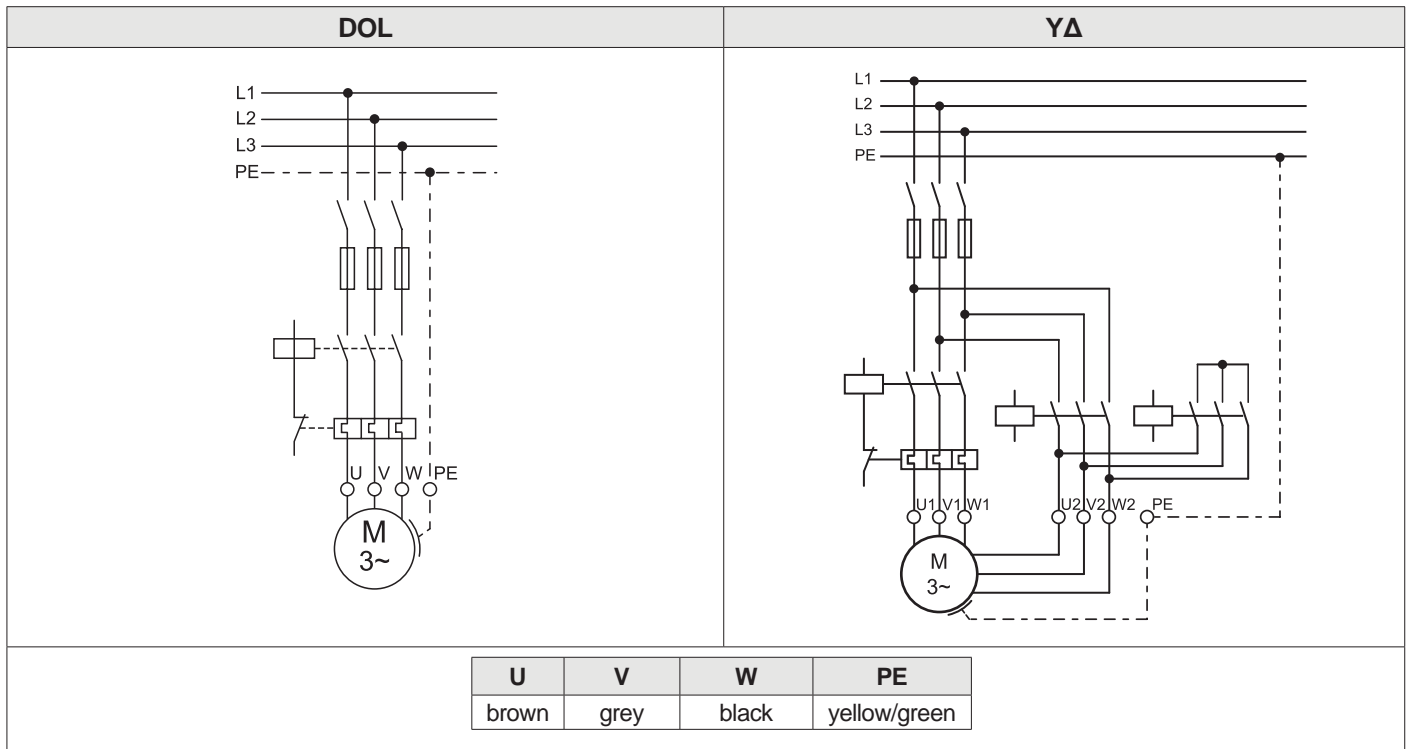


If these conditions are not met please contact Franklin Electric !



# 8" Rewindable Motors

## Electrical Connection



### Insulation resistance (20°C / 500 VDC)

New motor without drop cable	400 > MΩ
Used motor without drop cable	20 > MΩ
New motor with drop cable	4 > MΩ
Used motor with drop cable	1 MΩ

# 8" Rewindable Motors



## PVC Insulation Windings (380 – 415 V / 50 Hz)

P <sub>N</sub> [kW]	Mod.-No. Winding kits	Turns per coil	Wire diameter [mm]	Type of Isolation	Group connection	Total Wire length [m]	Resistance coil [Ω]	Resistance YD (U1-U2) [Ω]	Resistance DoI (U1-V1) [Ω]
30	326 349 999	9+10+9+10	2,2 / 3,1	PVC	Series	450,00	0,2640	0,5400	0,3700
37	326 101 999	17+17+17+17	1,6 / 2,4	PVC	Parallel	630,00	0,8930	0,4750	0,3110
45	326 110 999	14+14+14+14	1,8 / 2,6	PVC	Parallel	582,48	0,6545	0,3480	0,2350
52	326 120 999	12+12+12+12	1,9 / 2,7	PVC	Parallel	655,00	0,5695	0,3130	0,1900
55	326 119 999	11+12+11+12	2,0 / 2,9	PVC	Parallel	542,40	0,4925	0,2720	0,1730
60	326 129 999	10+10+10+10	2,2 / 3,1	PVC	Parallel	536,40	0,4024	0,2170	0,1430
67	326 128 999	9+10+9+10	2,2 / 3,1	PVC	Parallel	510,48	0,3823	0,2090	0,1390
75	326 135 999	8+9+8+9	1,6 / 2,4 2DR.II	PVC	Parallel	990,72	0,3503	0,1930	0,1240
83	326 142 999	7+8+7+8	1,7 / 2,5 2DR.II	PVC	Parallel	1008,00	0,3159	0,1670	0,1053
93	326 141 999	7+7+7+7	1,8 / 2,6 2DR.II	PVC	Parallel	943,20	0,2630	0,1400	0,0940

## PE2/PA Insulation Windings (380 – 415 V / 50 Hz)

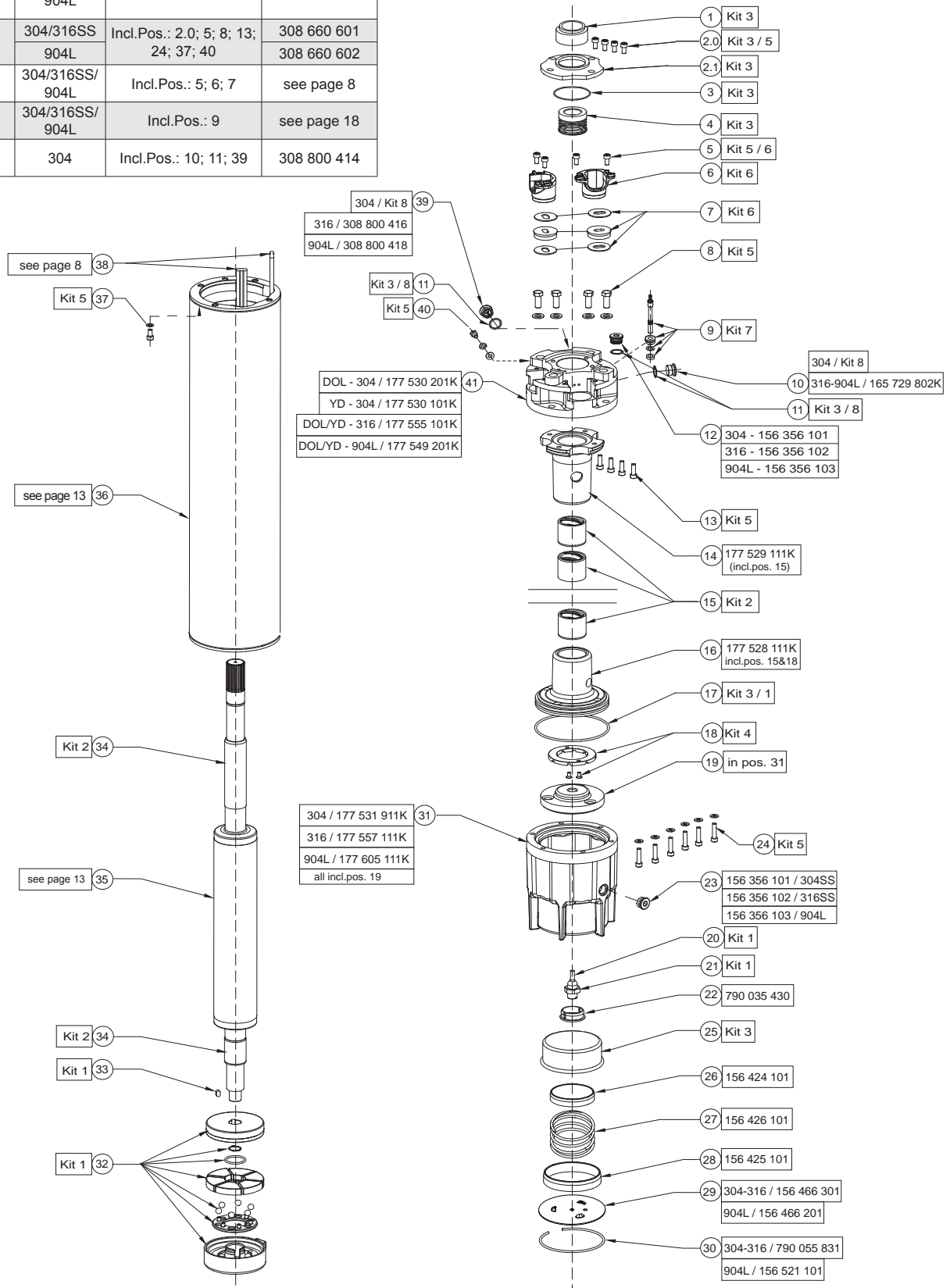
P <sub>N</sub> [kW]	Mod.-No. Winding kits	Turns per coil	Wire diameter [mm]	Type of Isolation	Group connection	Total Wire length [m]	Resistance coil [Ω]	Resistance YD (U1-U2) [Ω]	Resistance DoI (U1-V1) [Ω]
30	326 514 999	9+10+9+10	2,0 / 3,1	PE2/PA	Series	360	0,3212	0,6424	0,4282
37	326 239 999	8+9+8+9	2,0 / 3,1	PE2/PA	Series	315	0,2874	0,5748	0,3832
45	326 248 999	14+14+14+14	1,6 / 2,6	PE2/PA	Parallel	582	0,8283	0,4141	0,2761
52	326 259 999	12+12+12+12	1,7 / 2,7	PE2/PA	Parallel	565	0,7113	0,3556	0,2371
55	326 258 999	11+12+11+12	1,9 / 2,9	PE2/PA	Parallel	542	0,5457	0,2728	0,1819
60	326 269 999	10+10+10+10	2,0 / 3,1	PE2/PA	Parallel	536	0,4868	0,2434	0,1622
67	326 268 999	9+10+9+10	2,0 / 3,1	PE2/PA	Parallel	510	0,4625	0,2312	0,1541
75	326 275 999	8+9+8+9	2,0 / 3,1	PE2/PA	Parallel	495	0,4483	0,2241	0,1494
83	326 283 999	7+8+7+8	1,5 / 2,5 2DR.II	PE2/PA	Parallel	1008	0,4057	0,2028	0,1352
93	326 282 999	7+7+7+7	1,6 / 2,6 2DR.II	PE2/PA	Parallel	943	0,3328	0,1664	0,1109



# 8" Rewindable Motors

## 8" Rewindable Spare Parts

<b>Kit 1 Thrust Bearing Kit</b>	304/316SS/904L	Incl.Pos.: 17; 20; 21; 32; 33	308 750 601
<b>Kit 2 Radial Bearing Kit</b>	304/316SS/904L	Incl.Pos.: 15; 34	308 751 601
<b>Kit 3 Seal Kit</b>	304/316SS	Incl.Pos.: 1 - 4; 11; 17; 25	308 800 603
	904L		308 800 604
<b>Kit 4 Up-Thrust Bearing Kit</b>	304/316SS/904L	Incl.Pos.: 18	308 751 602
<b>Kit 5 Screw Kit</b>	304/316SS	Incl.Pos.: 2.0; 5; 8; 13; 24; 37; 40	308 660 601
	904L		308 660 602
<b>Kit 6 Lead Seal Kit</b>	304/316SS/904L	Incl.Pos.: 5; 6; 7	see page 8
<b>Kit 7 PT100 Kit</b>	304/316SS/904L	Incl.Pos.: 9	see page 18
<b>Kit 8 Valve Kit</b>	304	Incl.Pos.: 10; 11; 39	308 800 414



# 8" Rewindable Motors



## 304 / 316SS Stator and Rotor Model Number (380 - 415/ 460 Volts - 50 / 60Hz)

P <sub>N</sub> [kW]	Stator (incl. winding and 6m motor lead)				Rotor
	DOL PVC	DOL PE2/PA	YΔ PVC	YΔ PE2/PA	
30	326 349 931	326 514 931	326 349 981	326 514 981	161 580 801K
37	326 101 931	326 239 931	326 101 981	326 239 981	161 580 801K
45	326 110 931	326 248 931	326 110 981	326 248 981	161 580 802K
52	326 120 931	326 259 931	326 120 981	326 259 981	161 580 803K
55	326 119 931	326 258 931	326 119 981	326 258 981	161 580 803K
60	326 129 931	326 269 931	326 129 981	326 269 981	161 580 804K
67	326 128 931	326 268 931	326 128 981	326 268 981	161 580 804K
75	326 135 931	326 275 931	326 135 981	326 275 981	161 580 805K
83	326 142 931	326 283 931	326 142 981	326 283 981	161 580 806K
93	326 141 931	326 282 931	326 141 981	326 282 981	161 580 806K

## 904L Stator and Rotor Model Number (380 - 415/ 460 Volts - 50 / 60Hz)

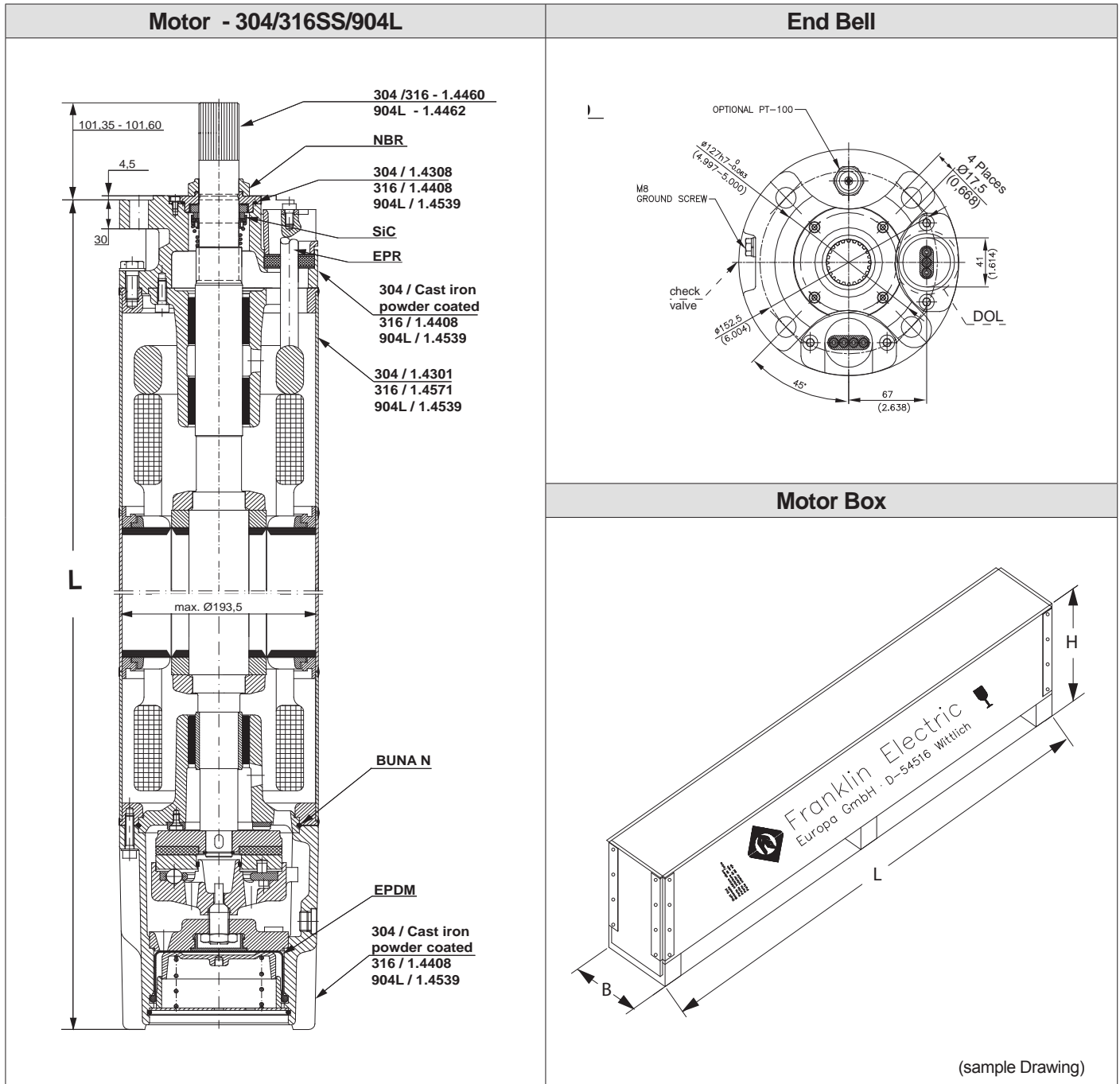
P <sub>N</sub> [kW]	Stator (incl. winding and 6m motor lead)				Rotor
	DOL PVC	DOL PE2/PA	YΔ PVC	YΔ PE2/PA	
30	326 349 921	326 514 921	326 349 971	326 514 971	161 580 811K
37	326 101 921	326 239 921	326 101 971	326 239 971	161 580 811K
45	326 110 921	326 248 921	326 110 971	326 248 971	161 580 812K
52	326 120 921	326 259 921	326 120 971	326 259 971	161 580 813K
55	326 119 921	326 258 921	326 119 971	326 258 971	161 580 813K
60	326 129 921	326 269 921	326 129 971	326 269 971	161 580 814K
67	326 128 921	326 268 921	326 128 971	326 268 971	161 580 814K
75	326 135 921	326 275 921	326 135 971	326 275 971	161 580 815K
83	326 142 921	326 283 921	326 142 971	326 283 971	161 580 816K
93	326 141 921	326 282 921	326 141 971	326 282 971	161 580 816K





# 8" Rewindable Motors

## 8" Rew Motor Design



P <sub>N</sub> [kW]	Motor Lengths L [mm]	Motor Weights [kg]		Motor Shipping Size [mm]		
	304 / 316 / 904L	304 / 316 / 904L	Incl. Pack [kg]	B	H	L
30	1140	140	169	310	472	1596
37	1140	140	169			
45	1230	156	185			
52	1340	179	208			
55	1340	179	208			
60	1470	198	235	310	472	1996
67	1470	198	235			
75	1560	215	252			
83	1740	247	284			
93	1740	247	284			



## Motor Filling Liquid

Filling liquid 5 L FES92



Part number:  
308 353 941

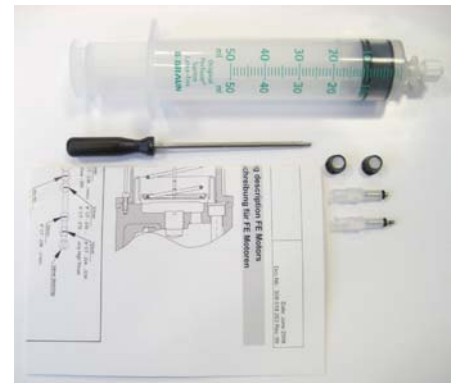
4" Encapsulated	→	FES93	8" Encapsulated Standard	→	FES91
6" Encapsulated Standard	→	FES91	8" Encapsulated HighTemp75	→	FES92
6" Encapsulated High-Temp90	→	FES92	Rewindable Motors All	→	FES93

FES91	FES92	FES93

## Motor Filling Kit

This kit contains all necessary tools to check and replenish Franklin Electric submersible motors with FES 91, 92 or 93 filling liquid (fill solution/concentrate must be ordered separately).

Part number: 308 726 103





# Accessories

## Couplings

### Application

Franklin Electric offers this line of motor-pump couplings for maximum customer convenience in matching the Franklin motor to a variety of pump shafts. Couplings are designed to transmit the pump thrust to the motor in order to provide maximum benefits from the Franklin internal thrust bearing construction.

Hardened stainless steel spacer discs in the 4" and 6" couplings assure positive bearing between motor and pump shafts, and assure full support for downward thrust created by the pump.

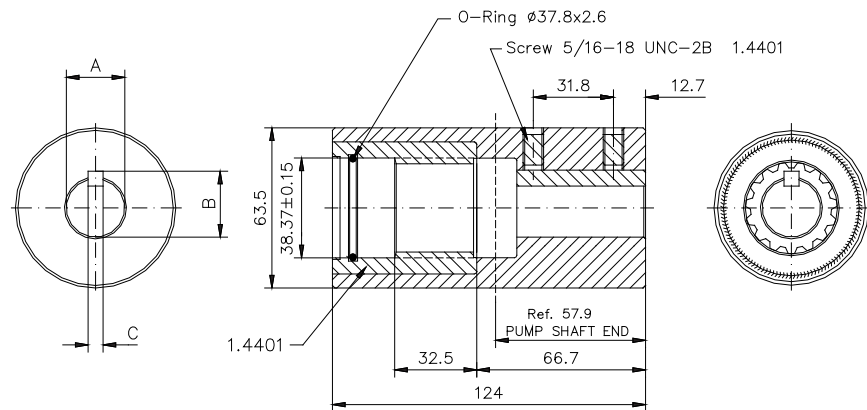
8" couplings DO NOT contain hardened spacer discs, since the motor shaft itself is hardened.





## 8" Motor-Pump Couplings

### Outline Drawing:



### Ordering information

Part No.	Coupling Material DIN / AISI	Dimension A (mm) Max. / Min.	Dimension B (mm) Max. / Min.	Dimension C (mm) Max. / Min.
156 563 901	1.4005 (304)	25,425 / 25,413	28,27 / 28,17	6,38 / 6,32
156 563 921	1,4404 (316SS)			
156 563 902	1.4005 (304)	30,188 / 30,175	33,73 / 33,63	7,96 / 7,91
156 563 922	1,4404 (316SS)			
156 563 903	1.4005 (304)	31,775 / 31,763	35,36 / 35,26	7,96 / 7,91
156 563 923	1,4404 (316SS)	38,125 / 38,113		
156 563 904	1.4005 (304)	38,125 / 38,113	42,37 / 42,27	9,55 / 9,50
156 563 924	1,4404 (316SS)	38,125 / 38,113		
156 563 905	1.4005 (304)	19,085 / 19,063	20,70 / 20,52	4,84 / 4,79
156 563 906	1.4005 (304)	30,188 / 30,175	33,02 / 32,92	6,38 / 6,32
156 563 926	1,4404 (316SS)			
156 563 907	1.4005 (304)	22,250 / 22,238	24,54 / 24,36	6,43 / 6,38
156 563 908	1.4005 (304)	22,024 / 22,011	25,53 / 25,32	8,03 / 7,98
156 563 931	1,4404 (316SS)			
156 563 929	1,4404 (316SS)	42,888 / 42,850	47,12 / 47,04	9,55 / 9,50
156 563 909	1.4005 (304)	25,024 / 25,011	28,70 / 28,30	8,03 / 7,98
156 563 932	1,4404 (316SS)			



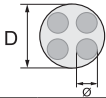
# Accessories

## PT100 Rewindable Motors

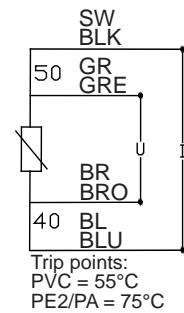
### Application

- Fitted into the upper end bell flange , all end bells 6" ,8" , 10" and 12" Rewindable are prepare for installation PT100
- Measures the temperature of the filling liquid
- Conductor with a resistance proportional to the temperature
- Allows monitoring the temperature continuously

The above-ground equipment is not available from Franklin Electric and is typically part of a custom panel or data acquisition system. PT100 sensor retrofit kits from Franklin Electric come with complete instructions and allow for easy field installation.



	Ø [mm <sup>2</sup> ]	D [mm]	Lead Lengths [m]	Mod.- No.:	6" Rew Redesign starting 08.2012		6" (Cast Iron/304SS) / 8" / 10" / 12"	
					304/316	904L	304/316	904L
<b>PT 100</b>	4X0,5	8	10	Mod.- No.:	308 016 501	308 016 522	308 016 401	308 016 422
<b>PT 100</b>	4X0,5	8	20	Mod.- No.:	308 016 502	-	308 016 402	-
<b>PT 100</b>	4X0,5	8	30	Mod.- No.:	308 016 503	-	308 016 403	-
<b>PT 100</b>	4X0,5	8	50	Mod.- No.:	308 016 505	308 016 526	308 016 405	308 016 426



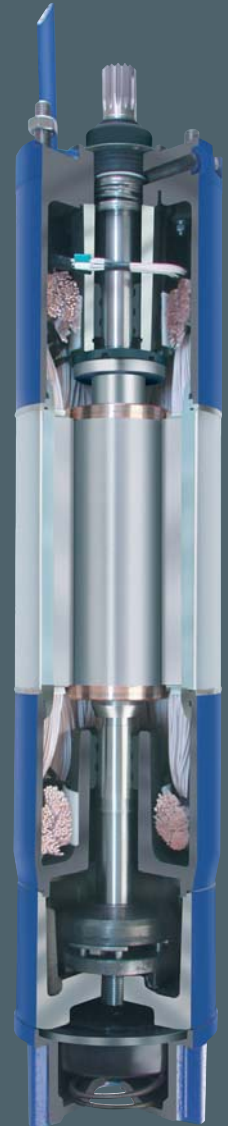
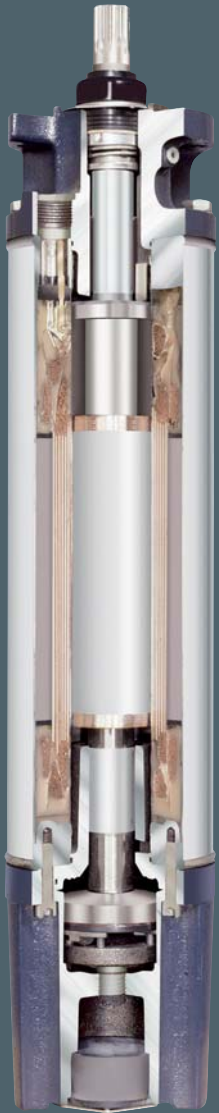


# QUALITY IN THE WELL

POWERED BY

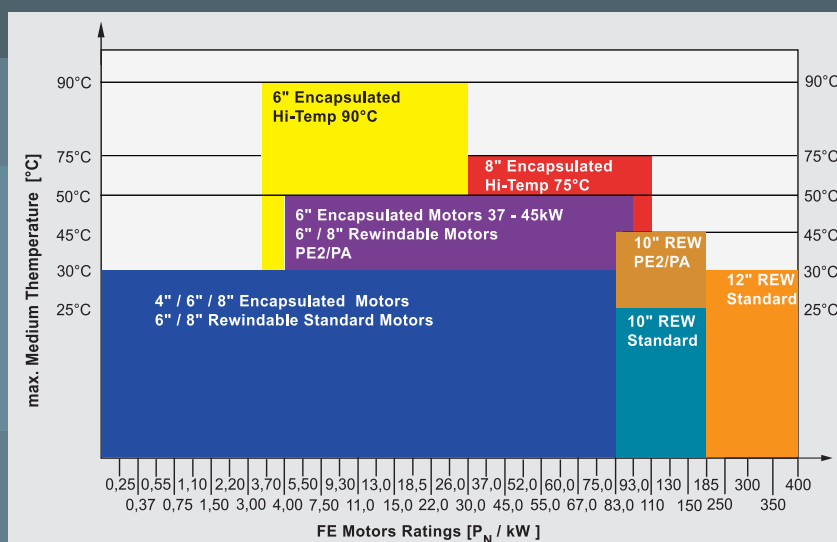


**Franklin Electric**



- (GB)** Franklin Electric is the world largest manufacturer of submersible motors. Our broad product line, quality manufacturing, on time delivery and outstanding service make us the number one choice of pumps manufacturers, distributors and installers worldwide. We invite you to visit our web site at: [www.franklin-electric.eu](http://www.franklin-electric.eu)
- (D)** Franklin Electric ist der größte Hersteller von Unterwassermotoren weltweit. Unsere weite Produktfamilie, die hohe Qualität der Fertigung, die gute Verfügbarkeit und der außerordentliche Service machen uns zur ersten Wahl für Pumpenhersteller, Händler und Installateure weltweit. Bitte besuchen sie unsere Internet Homepage unter: [www.franklin-electric.eu](http://www.franklin-electric.eu)
- (F)** Franklin Electric est le plus grand constructeur mondial de moteurs électriques immergés. Notre large gamme de produits, la qualité de nos fabrications, nos délais de livraison courts et notre support client hors du commun, font que nous sommes le choix préférentiel des fabricants de pompes, distributeurs et installateur dans le monde entier. Nous vous invitons à visiter notre site Internet: [www.franklin-electric.eu](http://www.franklin-electric.eu)
- (E)** Franklin Electric es la mayor fabricante mundial de motores eléctricos suimergibles. Nuestra amplia gama de productos, fabricación de calidad, entregas puntuales y excepcional servicio hace de nosotros la elección número uno entre los fabricantes de bombas, distribuidores e instaladores en todo el mundo. Le invitamos a visitar nuestra página web en: [www.franklin-electric.eu](http://www.franklin-electric.eu)

## Franklin Electric Product Line





## **Franklin Electric**

Franklin Electric Europa GmbH  
Rudolf-Diesel-Strasse 20  
D-54516 Wittlich/Germany  
Tel.: +49 (0) 6571 / 105-0  
Fax: +49 (0) 6571 / 105-520  
e-mail: [info@franklin-electric.de](mailto:info@franklin-electric.de)  
[www.franklin-electric.eu](http://www.franklin-electric.eu)